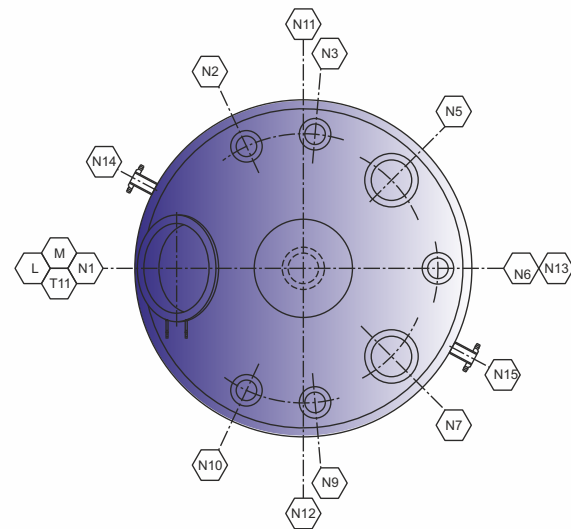
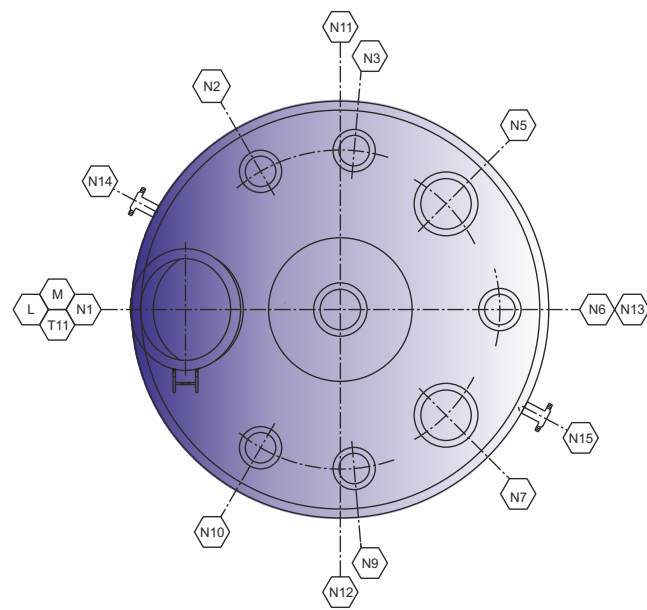


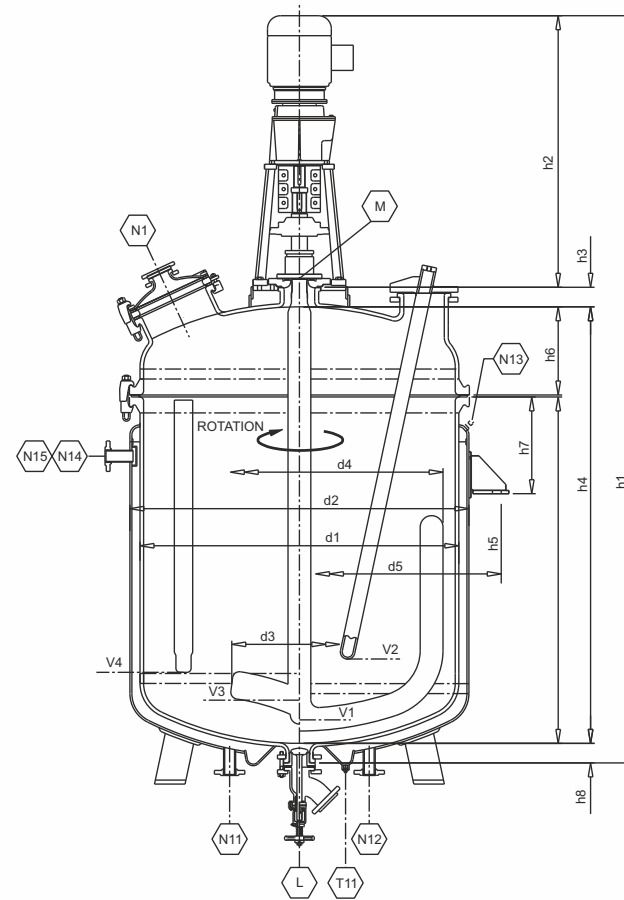
63-630



1000-3000



4000-6300



Dimensions

Nominal Volume (Ltrs.)	63	100	160	250	500	630	1000	1600	2000	2500	3000	4000	5000	6300
Total Volume (Ltrs.)	93	135	250	340	730	855	1470	2300	2580	3500	3800	5385	6800	8200
Jacket Volume (Ltrs.)	22	33	71	95	150	165	210	287	340	375	455	522	560	630
Min Stirrable Volume V1 (With ANC) (Ltrs.)	6	6	15	15	32	32	35	60	60	69	69	102	117	158
Min Stirrable Volume V2 (With ANC) (Ltrs.)	34	34	72	90	204	204	305	465	465	604	634	900	773	1185
Min Stirrable Volume V3 (With IMP) (Ltrs.)	12	12	32	32	62	62	78	150	150	126	126	250	242	242
Min Stirrable Volume V4 (With IMP) (Ltrs.)	19	19	64	85	87	87	102	215	215	277	282	326	1132	1000
Heat Transfer Area (Sq. Mtrs.)	0.6	0.9	1.2	1.8	2.7	3.1	4.6	6.2	7.3	8.3	9.2	11.7	13	16.1
d1	508	508	800	800	1000	1000	1200	1400	1400	1600	1600	1800	2000	2000
d2	600	600	900	900	1100	1100	1300	1500	1500	1700	1700	1900	2100	2100
d3	300	300	480	480	600	600	720	840	840	960	960	1100	1100	1100
d4	420	420	670	670	880	880	1060	1250	1250	1440	1440	1630	1630	1810
d5	756	756	1056	1056	1355	1355	1559	1780	1780	1980	1980	2210	2414	2414
h1	1558	1758	1998	2190	2395	2550	2798	3272	3472	3598	3753	4297	4476	4976
h2	828	828	1026	1026	1072	1072	1072	1282	1282	1348	1348	1577	1700	1700
h3	70	70	90	90	90	90	90	100	100	100	100	130	130	130
h4	590	790	812	1004	1155	1310	1560	1810	2010	2070	2225	2510	2560	3060
h5	400	600	522	714	845	1000	1200	1400	1600	1600	1755	2000	2000	2500
h6	180	180	280	280	300	300	350	400	400	460	460	500	550	550
h7	300	300	320	360	405	432	432	475	475	485	485	630	640	640
h8	70	70	70	70	78	78	76	80	80	80	80	80	86	86
Drain Value	80x50	80x50	100x80	100x80	100x80	100x80	100x80	100x80	100x80	100x80	100x80	100x80	150x100	150x100
Drive Power (H.P)	1	1	2	2	3	3	3	5	5	7.5	7.5	10	15	15
Approx Weight (Kg.)	445	500	935	1038	1532	1630	2122	2835	3014	3631	3801	5572	6190	6924

Nozzles

Nominal Volume	63	100	160	250	500	630	1000	1600	2000	2500	3000	4000	5000	6300
N1	100	100	150	150	250	250	350x450	350x450	350x450	350x450	350x450	500	500	500
N2,N10	40	40	50	50	100	100	100	100	100	100	100	150	150	150
N3	-	-	-	-	-	-	100	100	100	100	100	150	150	150
N4	80	80	80	80	100	100	-	-	-	-	-	-	-	-
N5,N7	-	-	-	-	-	-	200	200	200	200	200	250	250	250
N6	80	80	80	80	150	150	100	100	100	100	100	150	150	150
N8	50	50	80	80	100	100	-	-	-	-	-	-	-	-
N9	-	-	-	-	-	-	100	100	100	100	100	150	150	150
M	50	50	80	80	125	125	125	150	150	150	150	200	200	200
L	80	80	100	100	100	100	100	100	100	100	100	100	100	150
N11	40	40	40	40	50	50	50	50	50	50	50	50	80	80
N12	-	-	-	-	-	-	-	50	50	50	50	50	80	80
N14	40	40	40	40	50	50	50	50	50	50	50	50	80	80
N15	-	-	-	-	-	-	-	50	50	50	50	50	80	80
N13,T11	1/2"BSP	1/2"BSP	1/2"BSP	1/2"BSP	1/2"BSP	1/2"BSP	1/2"BSP	1/2"BSP	1/2"BSP	1/2"BSP	1/2"BSP	1/2"BSP	1/2"BSP	1/2"BSP