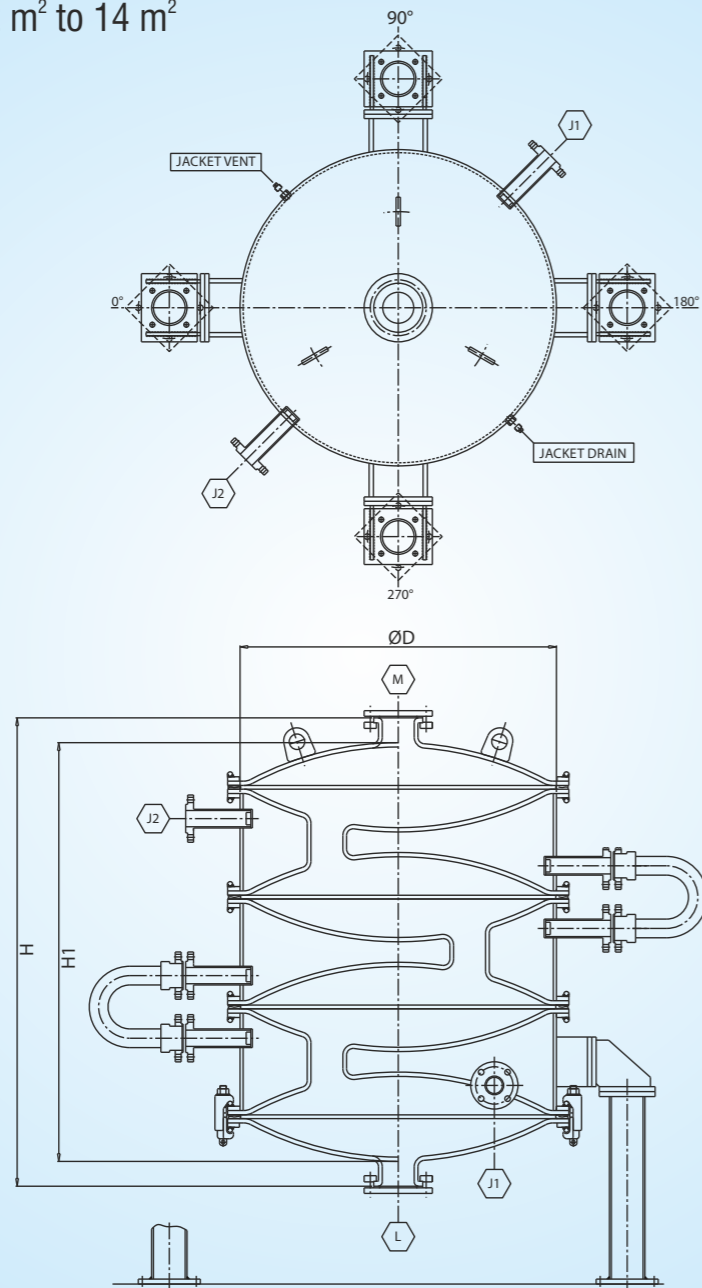




Plate Type Heat Exchanger:
Size - 2 m² to 14 m²

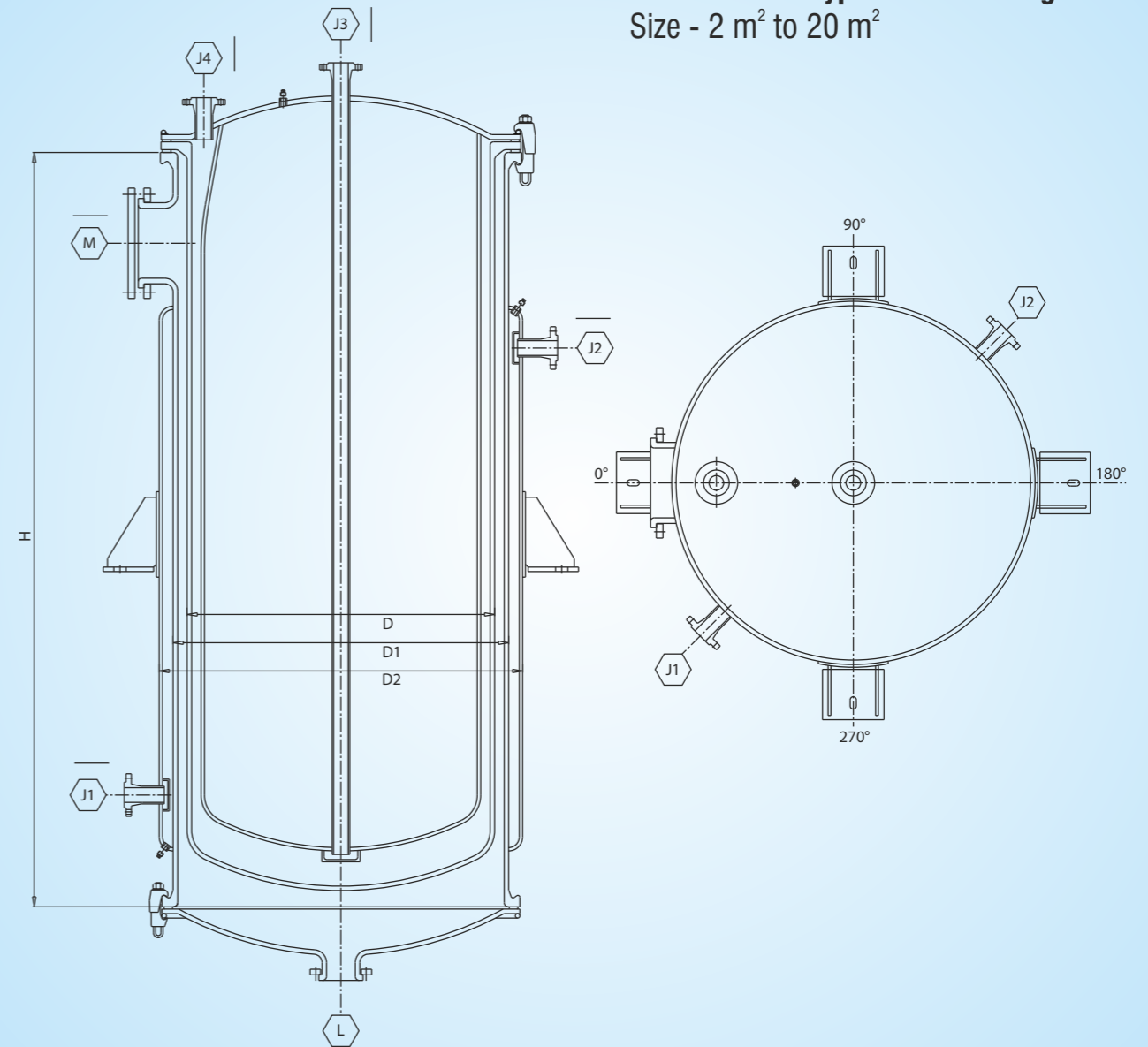


All dimensions are in mm.

HEAT TRANSFER AREA (m ²)	INNER VESSEL VOLUME (ltrs)	JACKET VOLUME (ltrs)	ØD	H1	H	NOZZLES			
						J1	J2	M	L
2	200	255	820	1157	1317	40	40	80	80
4	400	450	1020	1350	1510	50	50	100	100
6	510	600	1020	1705	1865	50	50	100	100
8	850	1000	1200	2013	2173	50	50	100	100
10	1200	1150	1400	1880	2080	50	50	150	150



Shell in Shell Type Heat Exchanger
Size - 2 m² to 20 m²



All dimensions are in mm.

HEAT TRANSFER AREA (m ²)	ØD	ØD1	ØD2	H	NOZZLES					
					J1	J2	J3	J4	M	L
2	324	406	508	1150	25	25	25	25	100	50
4	500	600	700	1600	25	25	25	25	150	50
6	600	700	800	1900	40	40	40	40	150	80
8	750	850	950	2050	50	50	50	50	200	80
10	750	850	950	2450	50	50	50	50	200	80
12	900	1000	1100	2485	50	50	50	50	250	80
14	1000	1100	1200	2500	50	50	50	50	250	80
16	1100	1200	1300	2700	50	50	50	50	250	80
20	1200	1300	1400	3010	50	50	50	50	300	100